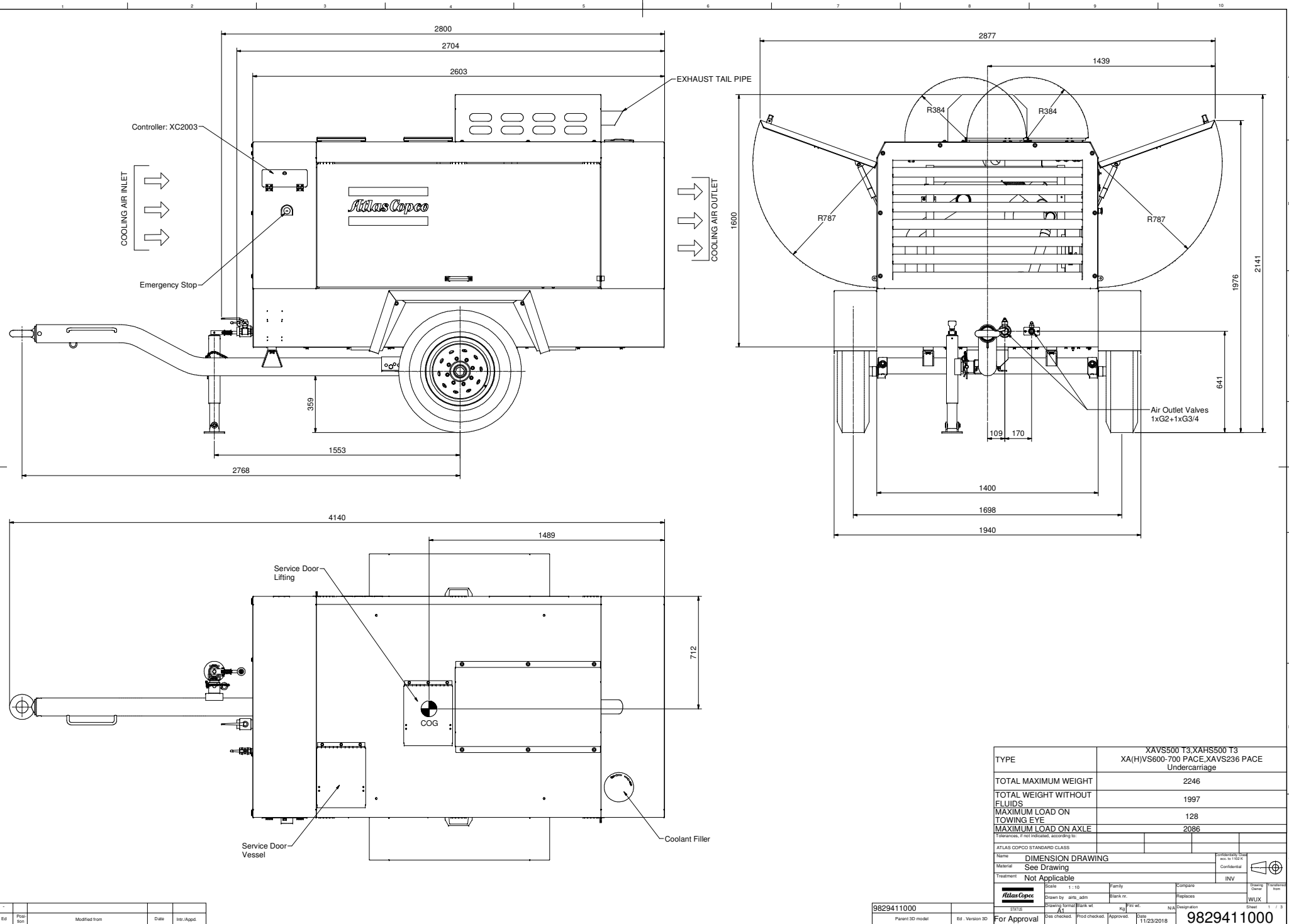


THIS DRAWING IS THE PROPERTY OF ATLAS COPCO. IT IS TO BE USED ONLY FOR THE PURPOSES AND IN THE QUANTITIES SPECIFIED IN THE ORDER. IT IS NOT TO BE REPRODUCED OR TRANSMITTED IN ANY FORM OR BY ANY MEANS, ELECTRONIC OR MECHANICAL, INCLUDING PHOTOCOPYING, RECORDING, OR BY ANY INFORMATION STORAGE AND RETRIEVAL SYSTEM.

CONFIDENTIAL: This document is the property of Atlas Copco and its content is not to be disclosed to third parties without the prior written consent of Atlas Copco.

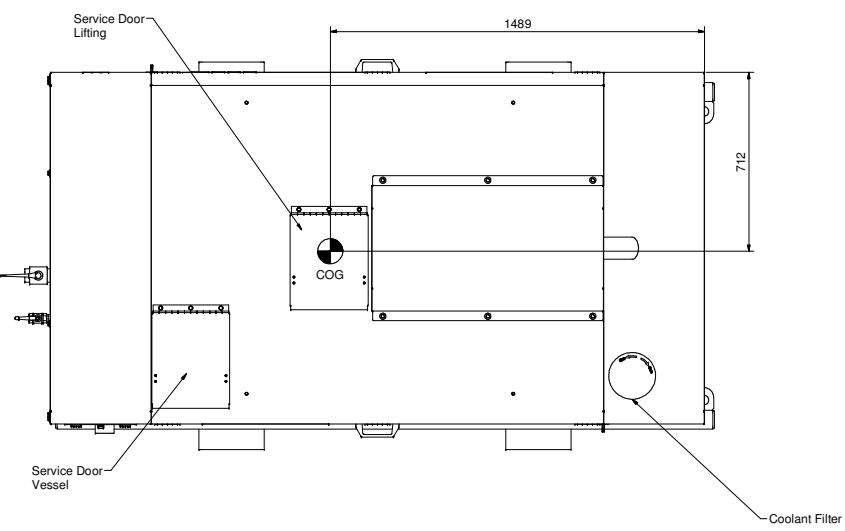
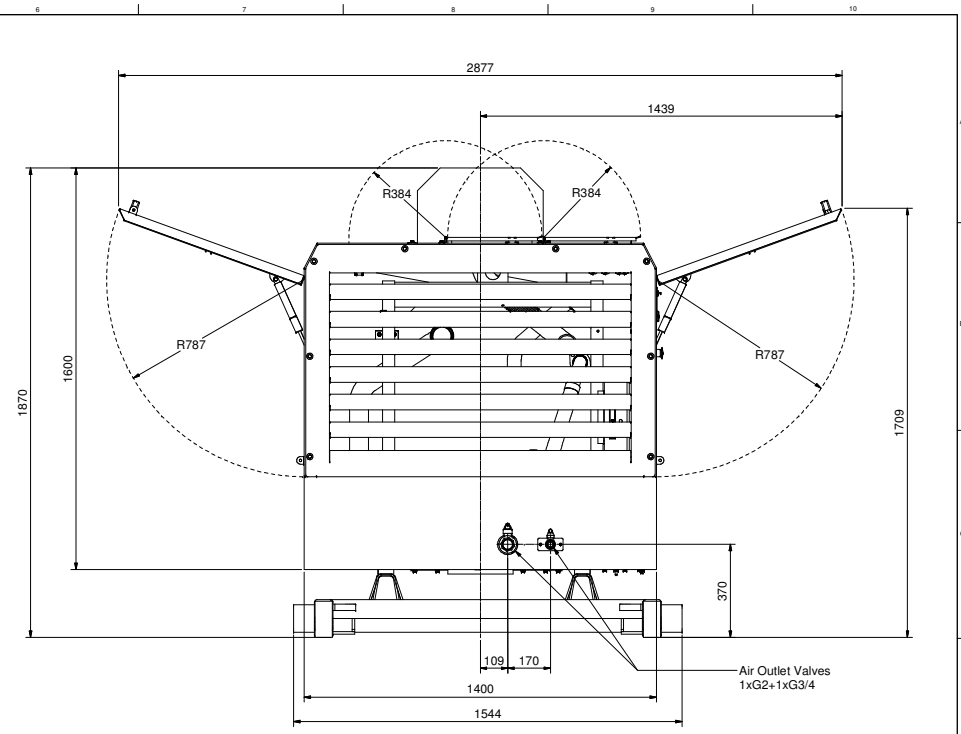
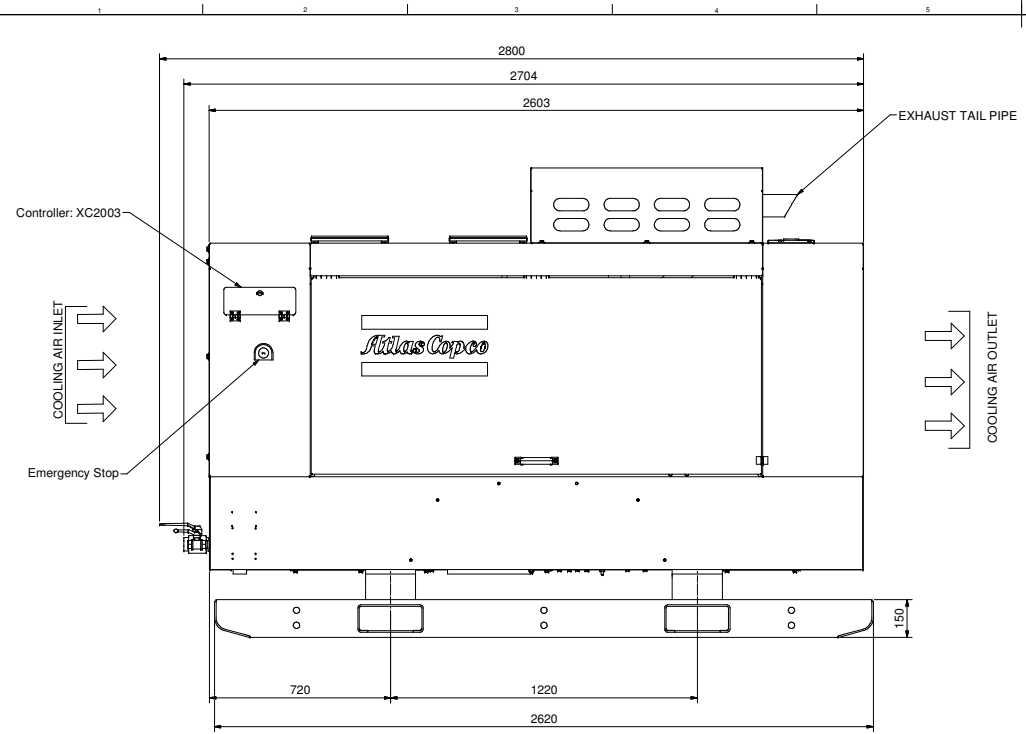


Ed	Prop	Modified from	Date	Wkr/Appr

TYPE	XAVS500 T3 XAHS500 T3 XA(H)VS600-700 PACE XAVS236 PACE Undercarriage	
TOTAL MAXIMUM WEIGHT	2246	
TOTAL WEIGHT WITHOUT FLUIDS	1997	
MAXIMUM LOAD ON TOWING EYE	128	
MAXIMUM LOAD ON AXLE	2086	
Tolerances, if not indicated, according to:		
ATLAS COPCO STANDARD CLASS		
Name	DIMENSION DRAWING	
Material	See Drawing	
Treatment	Not Applicable	
Scale	1:10	Family
Drawn by	ans_adm	Blank n.
Drawn format	blank_wt	kg
Dis checked	A1	Fin wt.
Prod checked		N/A
Approved		Designation
Date	11/23/2018	Sheet
9829411000		1 / 3
Parent 3D model	Ed - Version 3D	For Approval
9829411000		WUX

THIS DRAWING IS THE PROPERTY OF ATLAS COPCO. IT IS TO BE USED ONLY FOR THE PURPOSES AND IN THE QUANTITIES SPECIFIED IN THE ORDER. IT IS NOT TO BE REPRODUCED OR TRANSMITTED IN ANY FORM OR BY ANY MEANS, ELECTRONIC OR MECHANICAL, INCLUDING PHOTOCOPYING, RECORDING, OR BY ANY INFORMATION STORAGE AND RETRIEVAL SYSTEM.

CONFIDENTIAL: This document contains information that is confidential to Atlas Copco. It is not to be distributed outside the company or to any third party without the prior written consent of Atlas Copco.



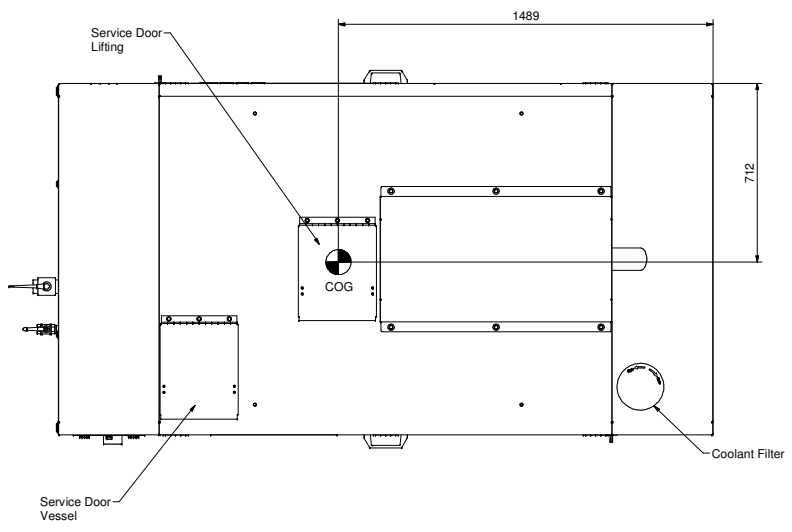
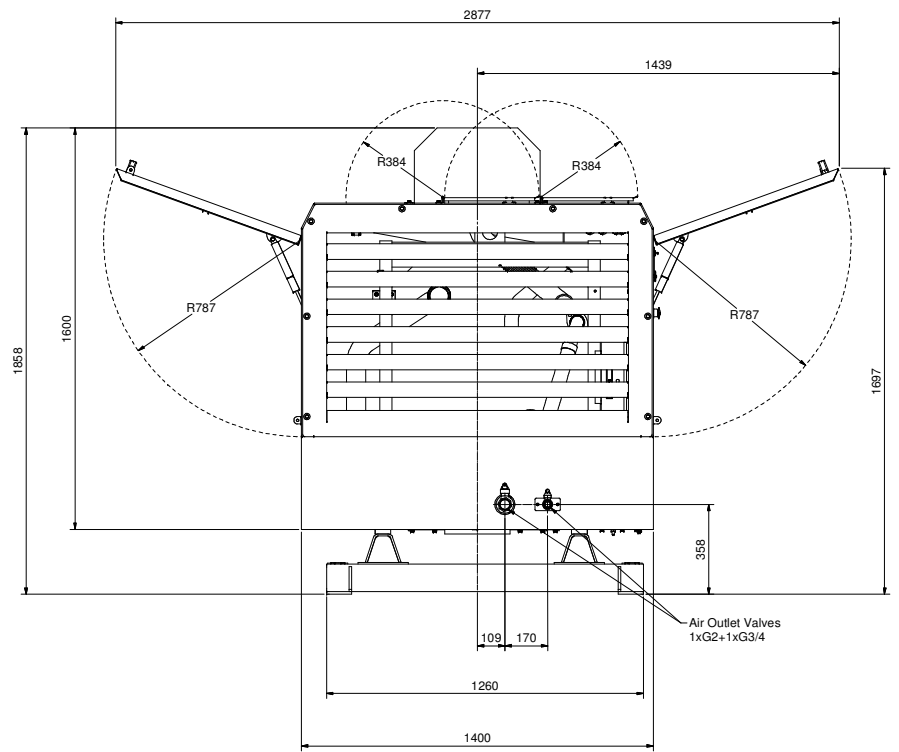
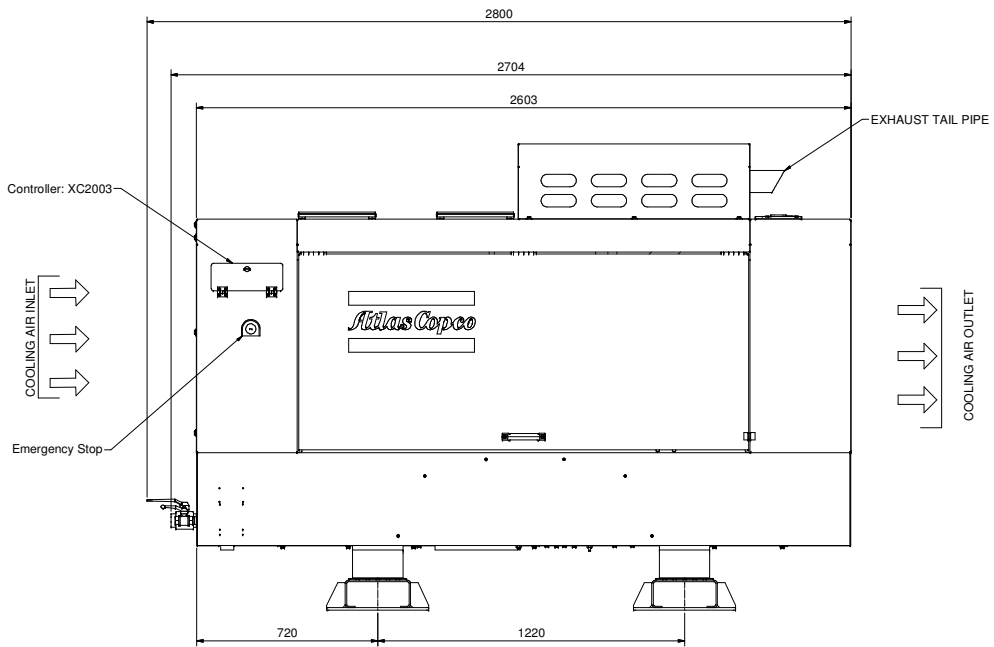
TYPE	XAVS500 T3.XAHS500 T3 XA(H)VS600-700 PACE.XAVS236 PACE Skid Mounted		
TOTAL MAXIMUM WEIGHT	2241		
TOTAL WEIGHT WITHOUT FLUIDS	1992		
Tolerances, if not indicated, according to:			
ATLAS COPCO STANDARD CLASS			
Name	DIMENSION DRAWING		
Material	See Drawing		
Treatment	Not Applicable		
Scale	1:10	Family	Compare
Drawn by	ans_adm	Blank n.	Replaces
Drawing format	blank_wt	kg	IN V
Dis checked		Prod checked	Approved
Date	11/23/2018	Designation	9829411000

Ed	Prop	Modif	Date	Appr

9829411000	Parent 3D model	Ed - Version 3D	For Approval
------------	-----------------	-----------------	--------------

Drawing Sheet 2 / 3
 WUX
 Confidential

This drawing is the property of Atlas Copco and shall not be reproduced, stored in a retrieval system, or transmitted in any form or by any means, electronic, mechanical, photocopying, recording, or by any information storage and retrieval system, without the prior written permission of Atlas Copco.



TYPE	XAVS500 T3.XAHS500 T3 XA(H)VS600-700 PACE.XAVS236 PACE Support Mounted		
TOTAL MAXIMUM WEIGHT	2099		
TOTAL WEIGHT WITHOUT FLUIDS	1850		
Tolerances, if not indicated, according to:			
ATLAS COPCO STANDARD CLASS			
Name	DIMENSION DRAWING		Confidential
Material	See Drawing		Confidential
Treatment	Not Applicable		INVT
Scale	1:10	Family	
Drawn by	ans_adm	Blank n.	Replaces
Drawing format	Blank wt	kg	Designation
Dis checked		Prod checked	Approved
9829411000	Parent 3D model	Ed - Version 3D	Date 11/23/2018

CONFIDENTIAL: This drawing is the property of Atlas Copco and shall not be reproduced, stored in a retrieval system, or transmitted in any form or by any means, electronic, mechanical, photocopying, recording, or by any information storage and retrieval system, without the prior written permission of Atlas Copco.

Ed	Prop	Modified from	Date	Wtr/Approv

9829411000	Parent 3D model	Ed - Version 3D	For Approval	Dis checked	Prod checked	Approved	Date 11/23/2018	9829411000
------------	-----------------	-----------------	--------------	-------------	--------------	----------	-----------------	------------